



Permasert® XL

LARGE DIAMETER POLYETHYLENE MECHANICAL COUPLINGS

Features and Benefits

- Easy to install, requires only one person
- Wide range of sizes (2" - 8")
- Center body section constructed of ASTM D-2513/ISO 4437 gas grade high density (PE 3408) polyethylene
- Design qualified for joining PE gas pipe (2406 and 3408) to PE pipe, PVC pipe, steel pipe and cast iron pipe
- Designed to withstand the pressure of the PE piping or tubing installed
- Pull-out strength is greater than the connected PE piping
- Non-corrosive components eliminate the need for anode protection or protective coatings
- Saves labor cost of anodic cell monitoring and maintenance
- All weather installation
- Meets the applicable requirements of US DOT CFR Title 49, Part 192, and ASTM D-2513 category 1

Polyethylene-to-Polyethylene (PE-to-PE) Mechanical Couplings		
Size	SDR/Wall	Part Number
2" IPS	11	55161
2" IPS	9/9.3	55162
3" IPS	11/11.5	55131
3" IPS	9.3	55132
3" IPS	13.5	55133
4" IPS	11/11.5	55101
4" IPS	9.3	55102
4" IPS	13.5	55103
6" IPS	13.5	55181
6" IPS	11.5	55182
6" IPS	11	55183
8" IPS	11	55196
8" IPS	11.5	55197
8" IPS	13.5	55198

Polyethylene-to-Steel (PE-to-Steel) Mechanical Couplings		
Size	SDR/Wall	Part Number
2" IPS	11	55164
2" IPS	9/9.3	55165
3" IPS	11/11.5	55140
3" IPS	9.3	55141
3" IPS	13.5	55142
4" IPS	11/11.5	55121
4" IPS	9.3	55122
4" IPS	13.5	55123
6" IPS	13.5	55185
6" IPS	11.5	55186
6" IPS	11	55187



A Subsidiary of American Meter Company • 222 Lake Street • Madison, Ohio 44057-3189 USA
Phone: 440-428-1171 • Toll Free: 800-544-6344 • Fax: 440-428-7325
E-Mail: perfection@perfectioncorp.com • Web Site: www.perfectioncorp.com

(Continued on other side)

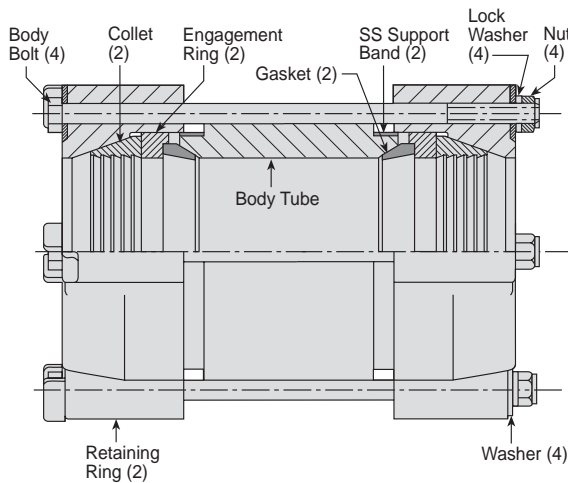


Permasert® XL

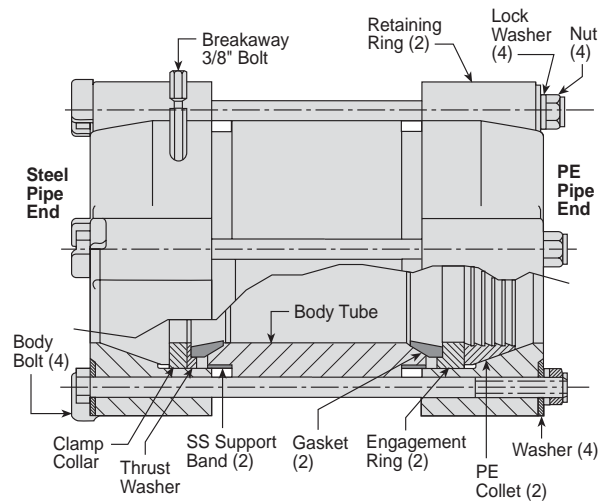
LARGE DIAMETER POLYETHYLENE MECHANICAL COUPLINGS

Polyethylene-to-PVC Pipe (PE-to-PVC) Mechanical Couplings			
Size	SDR/Wall	PVC	Part Number
2" IPS	11	SCH 40 PVC	55167
2" IPS	11	SDR 21 PVC	55168
4" IPS	11	SCH 40 PVC	55157
4" IPS	11	SDR 21 PVC	55158

Polyethylene-to-Cast Iron (PE-to-CI) Mechanical Couplings			
Size	SDR/Wall	Cast Size	Part Number
2" IPS	11	2.45 - 2.60"	55171
4" IPS	11/11.5	4.74 - 4.87"	55151
4" IPS	9.3	4.74 - 4.87"	55152
4" IPS	13.5	4.74 - 4.87"	55153
6" IPS	11	6.83 - 7"	55191
6" IPS	11.5	6.83 - 7"	55192
6" IPS	13.5	6.83 - 7"	55193



PE-to-PE Mechanical Coupling
PE-to-PVC Mechanical Coupling
PE-to-Cast Iron Mechanical Coupling



PE-to-Steel Mechanical Coupling



A Subsidiary of American Meter Company • 222 Lake Street • Madison, Ohio 44057-3189 USA
Phone: 440-428-1171 • Toll Free: 800-544-6344 • Fax: 440-428-7325
E-Mail: perfection@perfectioncorp.com • Web Site: www.perfectioncorp.com

ELSTER AMCO
LITC3-04400
©2006 PERFECTION CORPORATION
AHA/500/0706

All Perfection Corporation terms and conditions of sale apply to all products and services sold.

ISO 9001:2000
CERTIFIED